



Outline

Improve the effectiveness of your surveillance!

Lumenera's Li175CA cameras combine megapixel image resolution to provide clear identification with video content analysis for reduced operator fatigue and rapid decision making.

Lumenera has simplified IP camera installation with a straightforward plug-and-play process. Standard camera control is available through an intuitive user interface with most web browsers.

Enabled with ObjectVideo OnBoard™ - Lumenera's intelligent camera series incorporates embedded real-time video analytics. Detailed monitoring of a scene, alerting when suspicious activity is occurring, enables surveillance operators to make more proactive decisions.

Capturing full 1280 x 1024 resolution at 21 frames/sec, these cameras deliver outstanding picture quality and performance. Adjustable MJPEG and H.264 compression are provided across a standard 10/100BaseT network interface. Transfer of images via FTP, RTP or HTTP.

The I/O connector provides an interface to an external alarm sensor or control of peripheral equipment such as IR lighting and PTZ. E-mail or UDP alarm notification provides the date, time, and camera IP address. On-board memory buffers supply still images via FTP that precede and follow alarm events.

Programmable day/night settings automatically switch to enhanced low-light mode. Optional true day/night module provides automatic sliding IR cut filter for outstanding performance with active infrared illumination. DC iris lenses are supported using the industry standard four conductor socket.

The compact, all-metal body fits easily into housings and PTZ systems. Full one (1) year warranty.

Product Features

- Easy set-up and installation
- Power over Ethernet option
- Intelligent camera enabled with ObjectVideo OnBoard video analytics
- Analog video output for easy installation
- MJPEG or H.264 compression
- Up to 21 fps at full 1280 x 1024 resolution
- Feature rich camera functions:
 - Auto white balance
 - Auto exposure
 - DC auto iris
 - Configurable compression ratio
 - Support for multi data-stream
- I/O control of alarms, PTZ, lighting or other peripherals
- Optional true day/night functionality
- Image transfer via HTTP, FTP or RTP
- Camera control via HTTP, XML-RPC, Telnet or Microsoft COM
- Security / password protection
- FCC Class B, CE Certified
- 2-way audio
- CS lens mount provided standard, C-mount adapter available
- Compatible with most operating systems (Windows Vista and XP, Linux and Mac)

Specifications

Li175CA

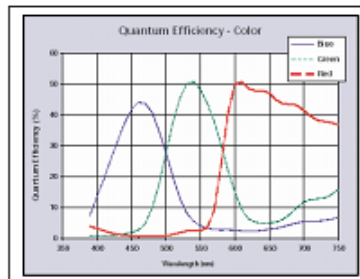
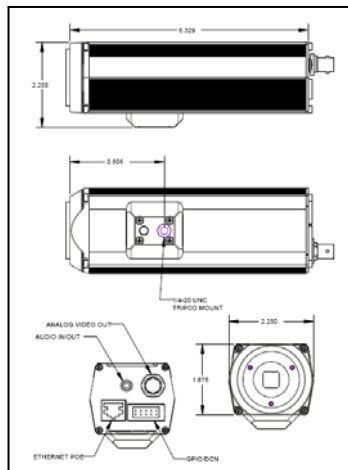
| | |
|------------------------|---|
| Image Sensor | 1/3" format, CMOS, color, 4.1 mm x 3.3 mm active area |
| Effective Pixels | 1280 x 1024, 3.2 µm square pixels |
| Frame Rate | Captures 21 fps at 1280 x 1024 |
| Dynamic Range | 55 dB |
| Sensitivity | 1.5 lux at F 1.0 |
| Auto Exposure | Automatic / Manual |
| White Balance | Automatic / Manual |
| Dimensions (W x H x D) | 2.0" x 2.25" x 6.3" (not including lens) |
| Mass | ~300g |
| Power Requirement | External 24V AC/DC or Power over Ethernet (IEEE 802.3af) |
| Power Consumption | < 6 Watts |
| Operating Temperature | -10°C to +50°C (environmental enclosure will provide extended temperatures with fan / heater) |
| Operating Humidity | 5%-95%, Non-condensing |
| Interface Connector | RJ45 Cat 5e twisted pair cable, 10/100baseT Ethernet, PoE |
| Lens Mount | Adjustable CS-Mount (lens not included) |
| Image Buffer | 28 MB (hundreds of full res images), expandable to 128 MB |
| Analog Output | NTSC composite video, BNC jack, 75 ohm |

Ordering Information

| | |
|------------|---|
| Li175CA | - Network Color Camera |
| Li175CA-DN | - Network Color Camera with Day/Night Module |
| Lu8401 | - Power Supply w International Plugs, 24VDC/1A Output |
| -OV1 | - OnBoard 100 Video Analytics |
| -OV2 | - OnBoard 200 Video Analytics |
| -OV3 | - OnBoard 1000 Video Analytics |

Recommended PC Specifications

| | |
|----------|--|
| O/S: | Windows Vista or XP (SP 3) |
| CPU: | 2.8GHz or above Pentium computer (required for full frame rate preview) 600Mhz or above Pentium compatible computer (for basic functionality) |
| Network: | 100 Mbps Ethernet LAN |
| Browser: | Internet Explorer v8.0 |



Recommended Applications:

- General purpose surveillance.
- Indoor/outdoor surveillance.
- Military and homeland security.
- Monitoring city centers.
- Higher education, campus security.
- Public transportation.
- Intelligent surveillance for timely response and prevention of operator fatigue.
- Protection of major public and corporate infrastructure.
- Scalable to large deployments using on-camera video content analysis