



Outline

See the difference multi-megapixel resolution makes!

Lumenera's Le11059 series of 11 megapixel cameras are designed for higher-end security applications, particularly in critical surveillance applications where intimate scene detail is required.

Capturing full 4000x2656 resolution at 3 fps, these cameras deliver outstanding picture quality and performance. Adjustable JPEG and MJPEG compressed still-images or streaming video are provided across a standard 10/100BaseT network interface.

Lumenera has simplified IP camera installation with a straightforward plug-and-play process. Intuitive user interface viewed with most web browsers provides standard camera control.

The I/O connector provides an interface to an external alarm sensor or control of peripheral equipment such as; IR lighting, strobe and PTZ. Alarm notification provides the date, time and camera IP address.

Programmable day/night settings automatically switch to enhanced low-light mode. The monochrome camera variant is well suited for use with NIR illuminators, providing outstanding nighttime performance.

On-board memory buffers supply still images that precede and follow alarm events. Transfer of images via email, FTP, RTP or HTTP.

Lumenera's Le11059 is provided with a larger SLR Canon Bayonet-Mount – to provide remote control of focus and iris over IP through standard SLR lenses. Camera can be mounted stand-alone or by means of standard environmental enclosures. Call with your enclosure requirements today.

Product Features

- Incredible image detail**
- Remote focus control over IP**
- Auto iris, or remote iris control over IP**
- Easy installation and set-up**
- 2600+ lines of resolution, color or monochrome, progressive scan, 10.6 megapixel, CCD sensor**
- 3 fps at full 4000 x 2656 resolution
8.5 fps at 4000 x 640 resolution**
- Feature rich camera functions:**
 - Auto white balance and auto exposure**
 - Day/Night settings**
 - Configurable compression ratio**
- I/O control of alarms, strobe, PTZ, lighting or other peripherals**
- Image transfer via HTTP, FTP, RTP, or Email**
- Camera control via HTTP, XML-RPC, Telnet or Microsoft COM**
- Security / password protection**
- FCC Class B, CE Certified**
- SLR Canon Bayonet-Mount standard**
- Compatible with most operating systems (Windows Vista and XP, Linux and Mac)**
- Full one (1) year warranty**

Specifications

Le11059

Image Sensor	43.3mm (diagonal), CCD, color or mono, equivalent 35mm sensor
Effective Pixels	4000 x 2656, 9.0µm square pixels
Frame Rate	Captures 3 fps at 4000 x 2656, 8.5 fps at 4000 x 640
Dynamic Range	>60dB
Sensitivity	0.1 lux at F1.0
Focus	Remote Focus (when used with Canon SLR lens)
Auto Iris	Automatic / Manual (when used with Canon SLR lens)
Auto Exposure	Automatic / Manual
White Balance	Automatic / Manual
Dimensions	3.25"(W) x 2.98"(H) x 7.777"(D) not including lens
Mass	1kg
Power	12VDC, ~15 Watts
Operating Temperature	-10° C to +50° C (environmental enclosure will provide extended temperatures with fan / heater)
Operating Humidity	5%-95%, non-condensing
Interface	RJ45 Cat 5e twisted pair cable, 10/100baseT Ethernet
Lens Mount	SLR Canon EF Bayonet-Mount - lens not included
Image Buffer	128 MB (~100 full resolution JPEG images)

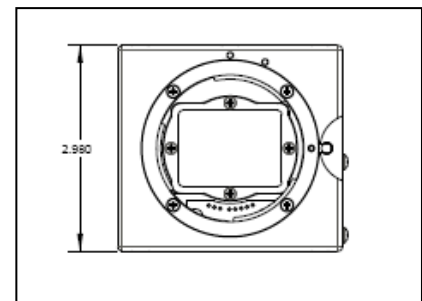
Recommended PC Specifications

O/S: Windows XP (SP 3) or Vista
CPU: 2.8GHz or above Pentium computer (required for full frame rate preview)

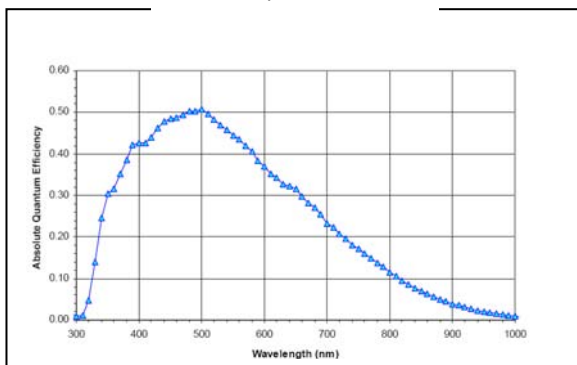
600Mhz or above Pentium compatible computer (for basic functionality)

Network: 100 Mbps Ethernet LAN
Browser: Internet Explorer v8.0

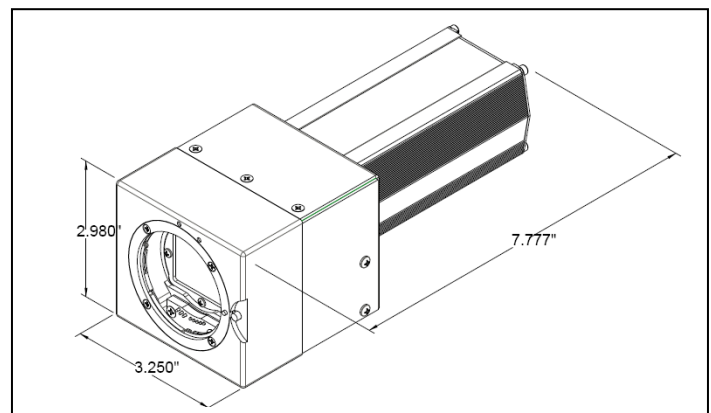
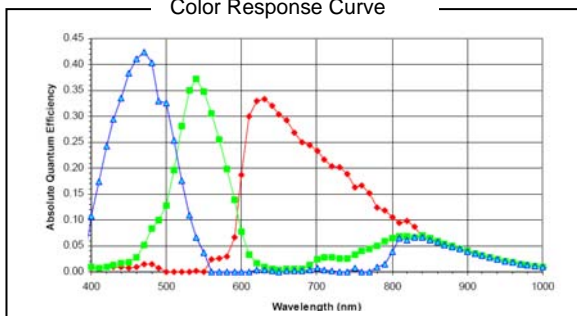
Mechanical Drawings:



Mono Response Curve



Color Response Curve



Ordering Information

Le11059C – 11 Megapixel Canon EF-Mount Color Camera

Le11059M – 11 Megapixel Canon EF-Mount Monochrome Camera

Lu8501 – Power Supply w International Plugs, 12VDC/2A Output