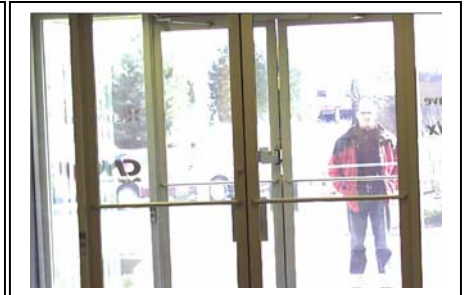




Ultra-Wide Dynamic Range Network Camera



Le045 Ultra-Wide Dynamic Range



Low Dynamic Range Cameras

Outline

Ultimate clarity with ultra-wide dynamic range!

Lumenera's Le045 series of network cameras are designed for general security applications, providing high quality, progressive scan images in high contrast environments, such as mixed sun and shadow, and backlit windows.

Capturing full 720x480 resolution at 30 frames/sec, these cameras deliver outstanding picture quality and performance. Adjustable MJPEG and H.264 compression are provided across a standard 10/100BaseT network interface. Transfer of images via FTP, RTP or HTTP.

Lumenera has simplified IP camera installation with a straightforward plug-and-play process. Intuitive user interface viewed with most web browsers provides standard camera control.

The I/O connector provides an interface to an external alarm sensor or control of peripheral equipment such as IR lighting and PTZ. E-mail or UDP alarm notification provides the date, time, and camera IP address. On-board memory buffers supply still images via FTP that precede and follow alarm events.

Programmable day/night settings automatically switch to enhanced low-light mode. Optional – True day/night module provides automatic sliding IR cut filter. When integrated with NIR illuminators, provides outstanding nighttime performance. DC iris lenses are supported using the industry standard four conductor socket.

Model Le045 is very compact, with an all-metal body, and can be mounted stand-alone or in standard environmental enclosures. Call with your enclosure requirements today.

Product Features

- Ultra-wide dynamic range 102dB (typical)/120dB (max)
- MJPEG or H.264 compression
- 2-way audio
- Optional true day/night functionality
- Easy set-up and installation
- 480 lines of resolution, color or monochrome, progressive scan, 720x480 pixel Pixim sensor
- Analog video output for easy installation
- Up to 30 fps at full 720x480 resolution
- Feature rich camera functions:
 - Auto white balance
 - Auto exposure
 - DC auto iris
 - Configurable compression ratio
- I/O control of alarms, PTZ, lighting or other peripherals
- Image transfer via HTTP, FTP or RTP
- Camera control via HTTP, XML-RPC, Telnet or Microsoft COM
- Security / password protection
- FCC Class B, CE Certified
- CS lens mount provided, C-mount adapter available
- Compatible with most operating systems (Windows Vista and XP, Linux and Mac)
- Full one (1) year warranty

Specifications

Le045

Image Sensor	1/3" format, CMOS, color or monochrome, 5.04mm x 3.78mm array
Effective Pixels	720x480, 7µm square pixels
Frame Rate	Captures 30 fps at 720x480
Dynamic Range	102dB (typical) 120dB (max)
Sensitivity	0.5 lux at F 1.0
Auto Exposure	Automatic / Manual
White Balance	Automatic / Manual
Dimensions (W x H x D)	1.9" x 2.25" x 6.3" (not including lens)
Mass	~300g
Power Requirement	External 24VDC or Power over Ethernet (IEEE 802.3af)
Power Consumption	<6 Watts
Operating Temperature	-10°C to +50°C (environmental enclosure will provide extended temperatures with fan / heater)
Operating Humidity	5%-95%, non-condensing
Interface Connector	RJ45, Cat 5e twisted pair cable, 10/100baseT Ethernet
Lens Mount	Adjustable CS-Mount (lens not included)
Image Buffer	28 MB (up to 400 full res images), expandable to 128 MB
Analog Output	NTSC composite video, BNC jack, 75 ohm

Ordering Information

Le045C	- Network Color Camera
Le045M	- Network Monochrome Camera
Le045C-DN	- Network Color Camera with Day/Night Module
Le045C-MM	- 128 MB Extended Memory Option
Le045M-MM	- 128 MB Extended Memory Option
Le045C-DN-MM	- 128 MB Extended Memory Option
Lu8401	- Power Supply w International Plugs, 24VDC/1A Output

Recommended Applications:

- General Purpose Surveillance
- Indoor/Outdoor surveillance
- Monitoring city centers, college campuses and public transportation
- Military, homeland, perimeter, and border surveillance
- Working in backlit scenes in airports, train and bus stations, commercial establishments, banks, hotels, etc.
- Deployments using wireless bridges

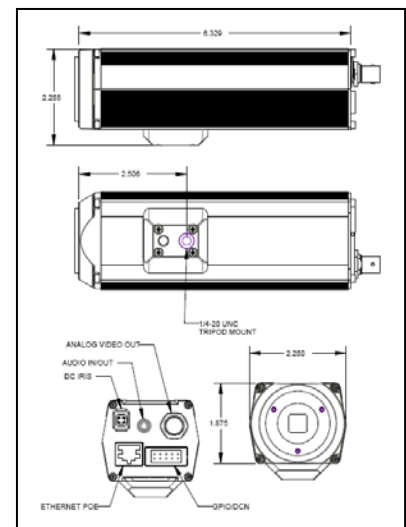
Recommended PC Specifications

O/S: Windows XP (SP 3) or Vista
CPU: 2.8GHz or above Pentium computer (required for full frame rate preview)

600Mhz or above Pentium compatible computer (for basic functionality)

Network: 100 Mbps Ethernet LAN
Browser: Internet Explorer v8.0

Mechanical Drawings



Color Response

